



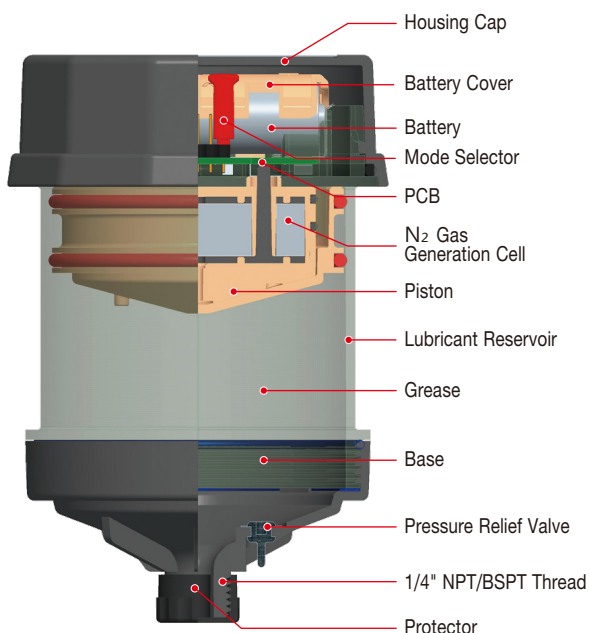
What is the Pulsarlube E

The Pulsarlube E, an electrochemical automatic grease single point lubricator, operates based on the proven technology of electrochemical reaction which generates inert Nitrogen (N₂) gas through the systematic use of an electrolyte and electrical energy. With five different preset dispensing rates from 1 to 12 months, the Pulsarlube E offers a very cost effective solution for a wide variety of industrial applications, which contributes to preventative maintenance and cost reduction via reliable and precise lubrication.

In addition, the intuitive design of Pulsarlube E ensures both error-free operation and safe use.

Advantages

- Cost effective
- Simple to operate
- Easy to install without the use of tools
- Easy to adjust dispensing periods in operation
- Instant ON & OFF available
- Transparent container for visual inspection of lubricant levels
- Convenient disposal after use (environmentally friendly)
- Suitable for use in confined areas
- More reliable against ambient temperature variations than hydrogen gas type lubricators
- Pressure relief valve relieves pressure if it exceeds 7kgf/cm² (100psi)



Specifications

Specifications	Description
Grease Capacity	120cc
Operating Pressure	Max. 5kgf/cm ² (70psi)
Operating Temp Range	-20°C ~ 60°C (-4°F ~ 140°F)
Product Size	Ø77mm (3.03") × 112mm (4.41")
Installation Thread Size	1/4" Male NPT & BSPT compatible
Gas Type	Nitrogen (N ₂) Gas
Available Dispensing Periods	1, 3, 6, 9 & 12 months
Certifications / IP code	CE / IP65
Remote Installation	Upto 1m(3ft) using a 8mm(5/16") O.D. tube

NOTE Technical information is subject to change without prior notice.

Dispensing Recommendation

In the chart below are general guidelines for bearing lubrication requirements. Requirements may vary with individual bearing types and operating conditions.

Ball & Roller Bearings

Bearing Shaft Diameter	Setting Months	Dispensing Equivalents
90mm(3.50") ~ 150mm(6.00")	1 Month	4,0cc/day
65mm(2.50") ~ 90mm(3.50")	3 Month	1,33cc/day
50mm(2.00") ~ 65mm(2.50")	6 Month	0,67cc/day
45mm(1,75") ~ 50mm(2,00")	9 Month	0,45cc/day
under 45mm(1,75")	12 Month	0,33cc/day

Please feel free to contact your local distributor should you need any assistance in setting proper dispensing rate.

Pulsarlube E Grease Selection Guidelines

Regarding grease compatibility, please contact your lubricant supplier or manufacturer.

Grease	Grease Type	Description
PL1	Multi Purpose	High performance NLGI #2 grade
PL2	Heavy Duty	Excellent heavy duty NLGI #2 with high viscosity base fluids and additional load carrying capacity
PL3	High Speed	High performance NLGI #1 grade
PL4	H1 Food Grade	USDA H1 NLGI #2 grade for applications where food grade product is required
PL5	High Temperature	Synthetic high performance NLGI #2 grade with oxidation stability
PL6	Multi Purpose MoS ₂	Dark gray colored MoS ₂ containing mineral based product fortified extreme pressure property
PL7	Low Temperature	Fully synthetic product for extreme low temperature applications

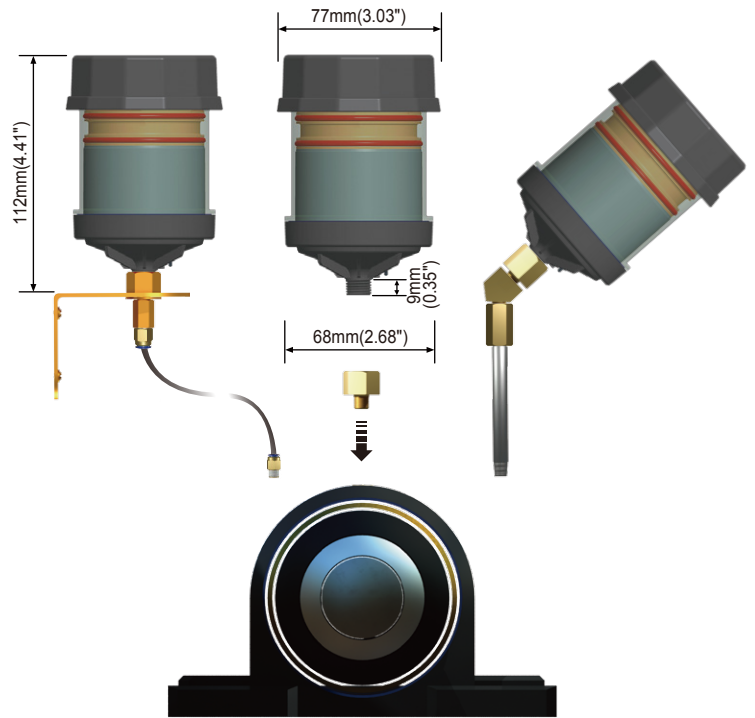
NOTE OEM filling is available upon request under special terms and conditions. Please contact your local distributor or manufacturer.

How to install

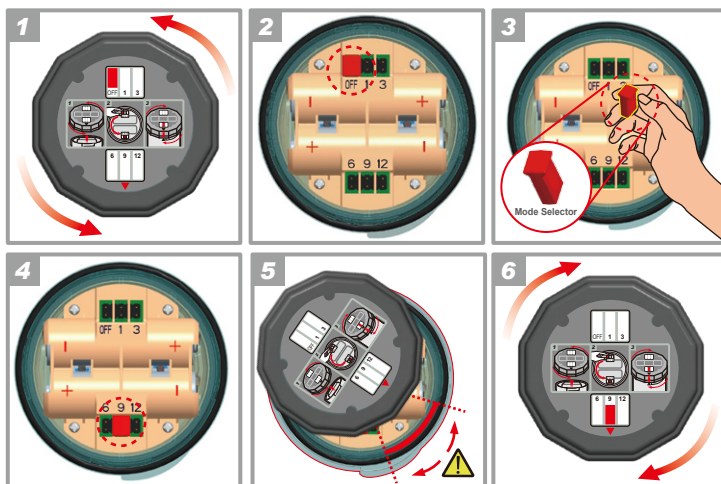
Pulsarlube E is designed as a single point lubricator only. Do not use the Pulsarlube E unit for multiple lube points.

For remote installation, all components such as reducers, tubes, or lube lines should be manually filled with the same grease contained in the unit before installation of the Pulsarlube E unit.

Please make sure to wipe off the tip of the grease gun with a clean rag before filling your lube line and that the lube line is free of kinks to avoid an possible dispensing delays.



How to set

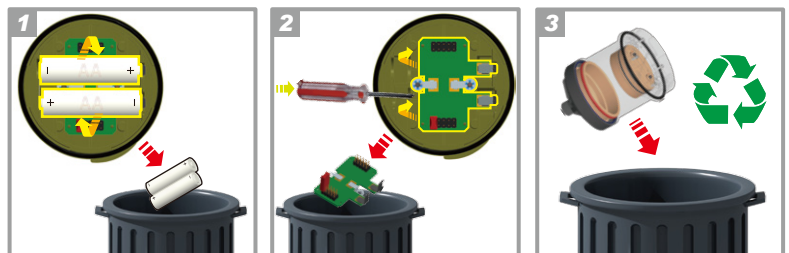


⚠ To lock the Pulsarlube E unit, the ▼ on the housing cap **Must be located** in the area shown above (#5).

Pulsarlube USA, Inc.

4312 DiPaolo Center, Glenview, IL 60025, USA
 TEL: 1-847-795-0591 FAX: 1-847-795-0119
 www.pulsarlube.com info@pulsarlube.com

How to dispose



Note

Shelf Life and warranty period

The shelf life of each Pulsarlube E unit is 2 years from the date of production. Product warranty is limited to original defects in material and workmanship and will not cover any collateral damage due to mishandling, abuse and /or any other inappropriate use of this product. Warranty period is 1 year from the date of purchase.

How to Order

E120 / PL1

— Grease Type
 — Lubricator Model (Pulsarlube E Model E120 : 120cc Capacity)